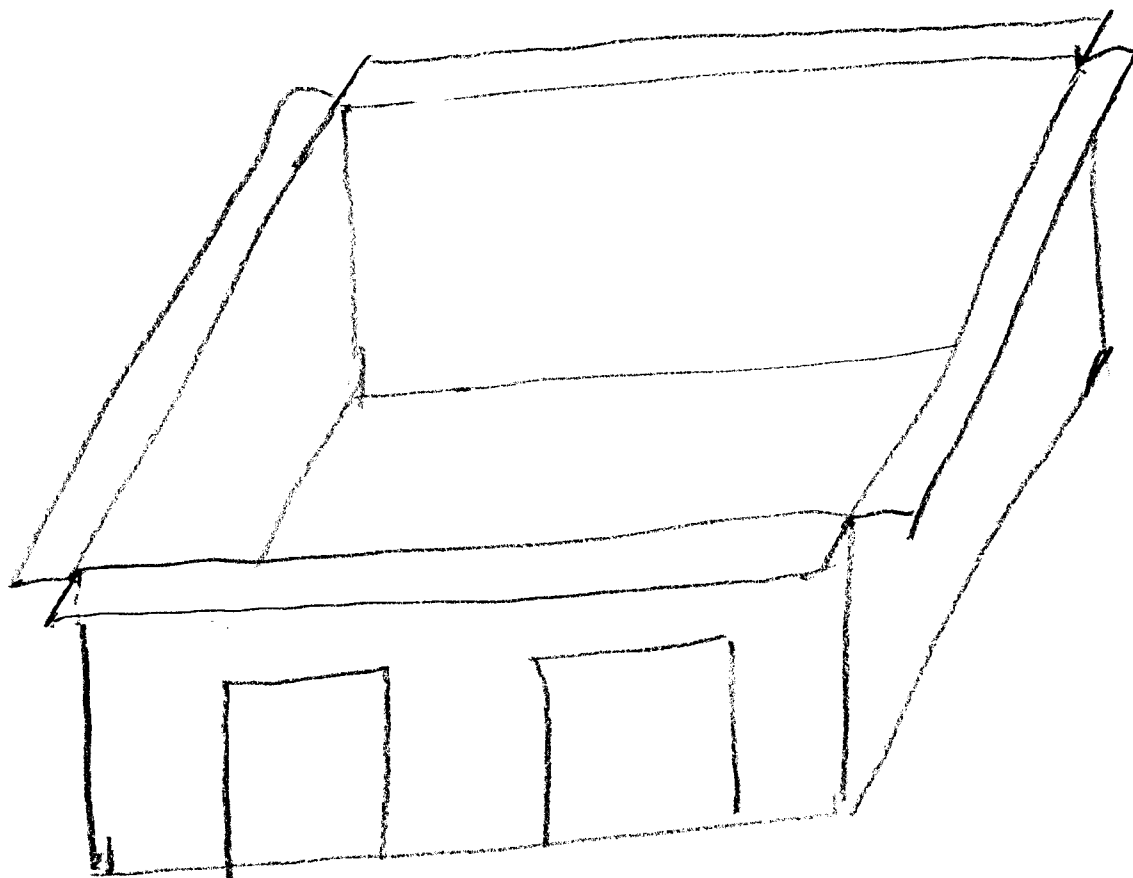
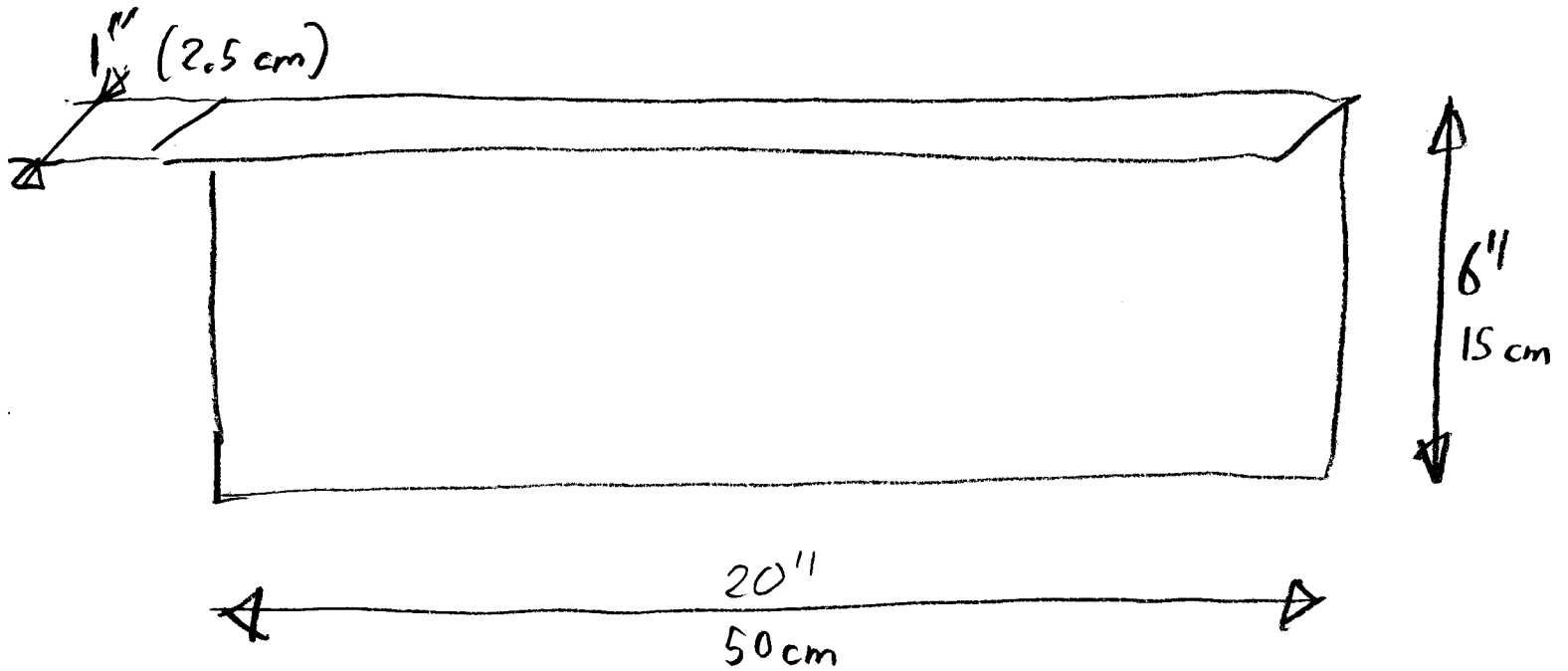
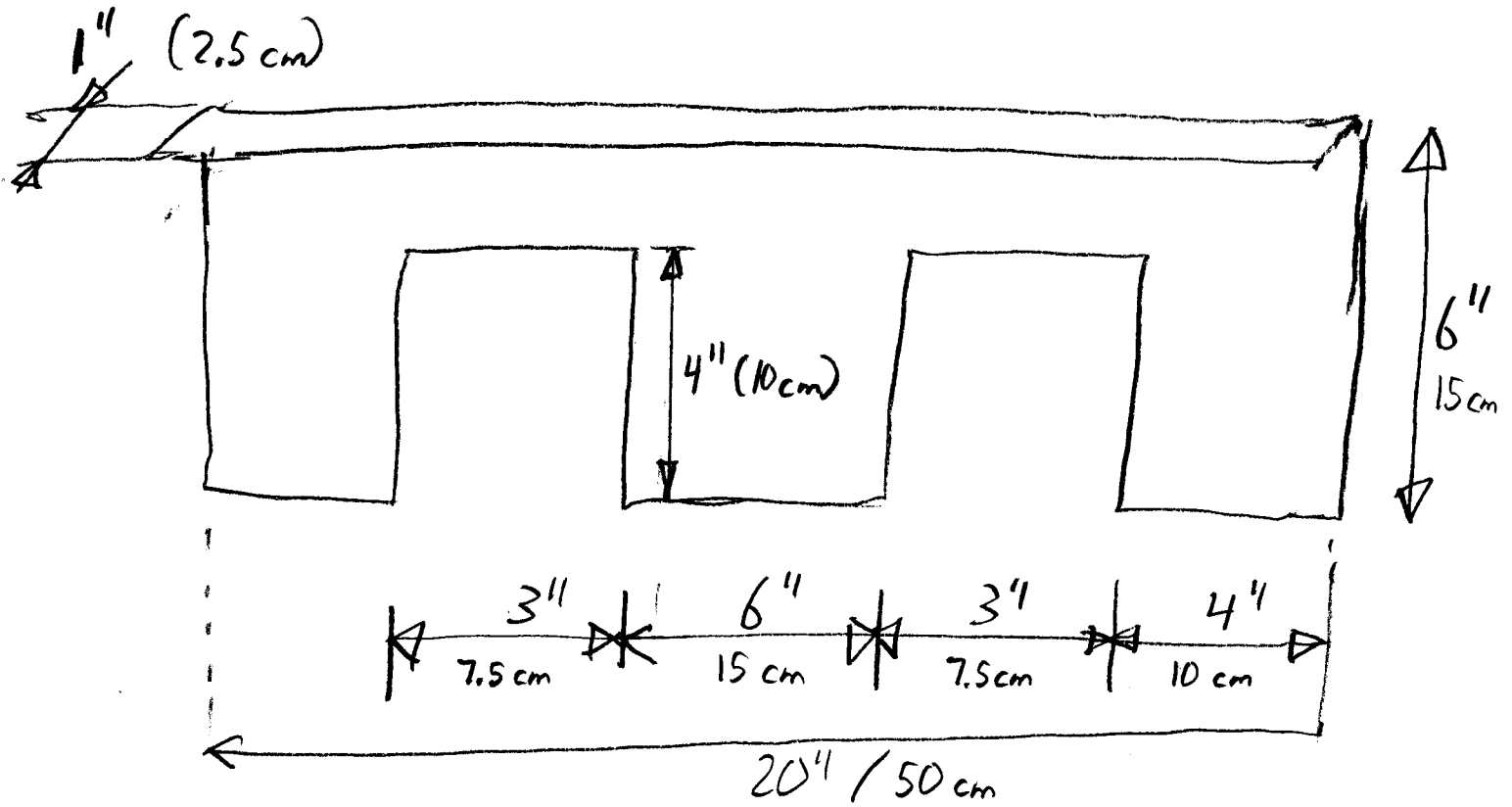


# Reading box

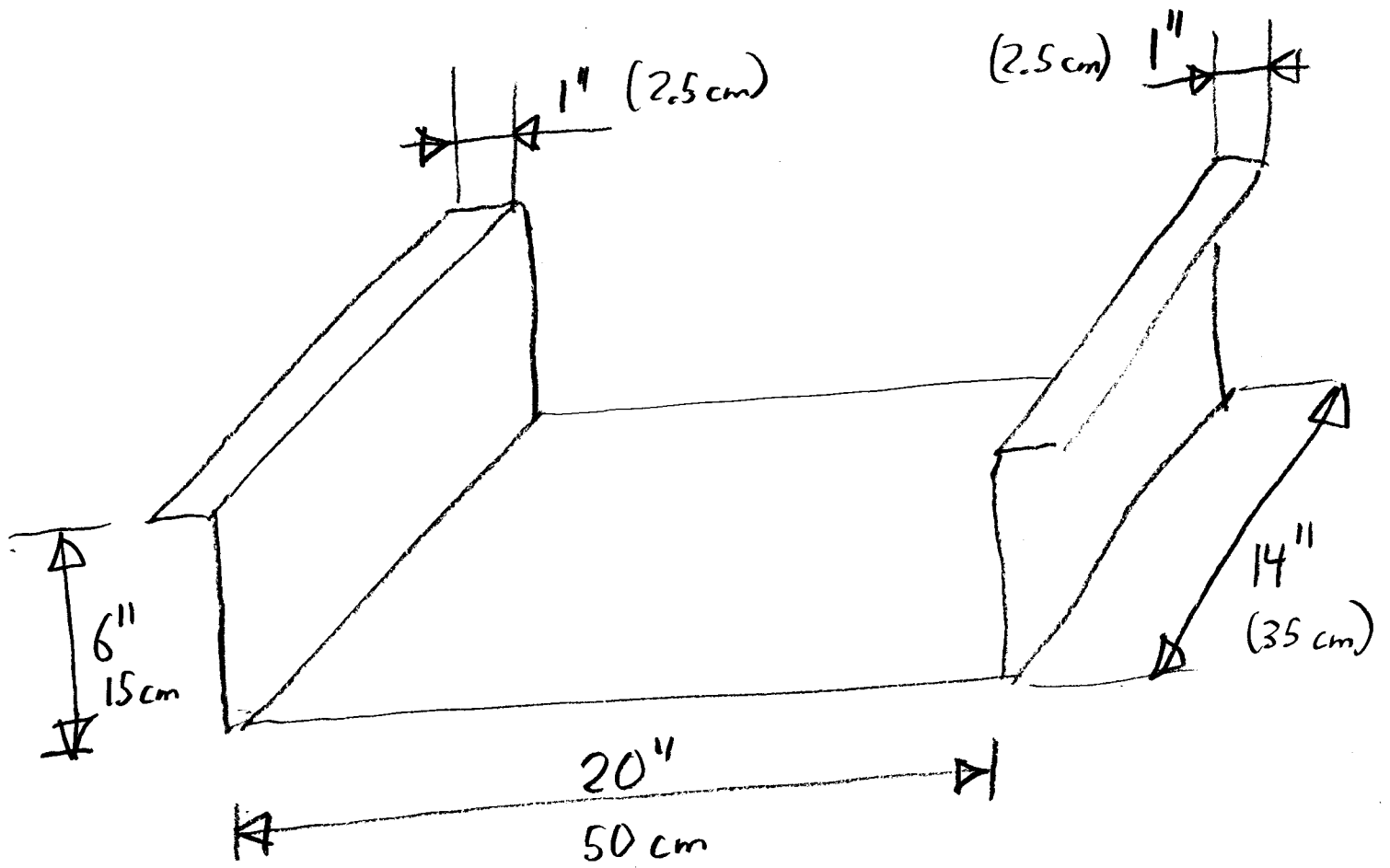


Pieces of smooth aluminum plates  $\frac{1}{16}$ " thick.  
Will be assembled using caulk.  
Each side has a top flange, bent outwards,  
which will hold the lid (made separately).

# Front and back of box



semi-glass aluminum plate,  $\frac{1}{16}$ " (1.5 mm) thick



Bottom and two sides with  
top flanges, Bent out of plate  
about 34" x 14" (85 x 35 cm),

semi-gloss aluminum plate, 1/16" (1.5 mm).